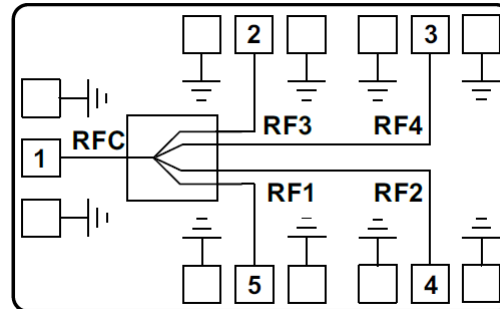


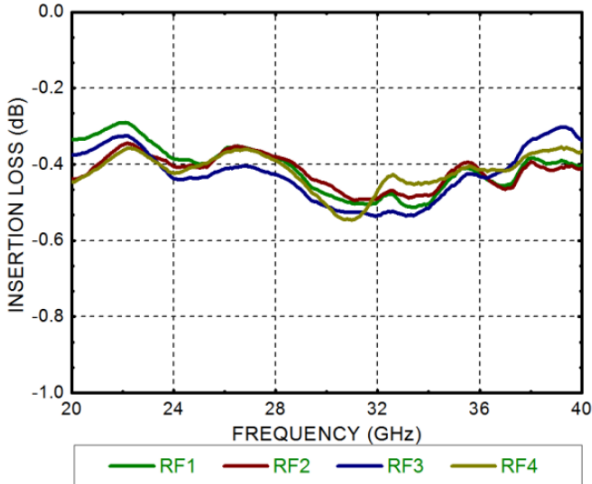
Features

- Frequency: 18-40GHz
- Insertion Loss: 0.5dB
- Input/Output: 50Ω matched
- Die Size: 1.95 x 2.0 x 0.075 mm

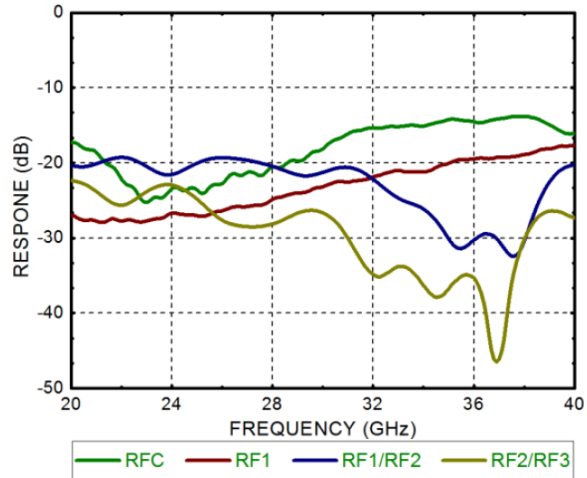
Functional Block Diagram

Electrical Specifications
TA = +25°C, Pin=0dBm

Parameters	Min.	Typ.	Max.	Units
Frequency		18-40		GHz
Insertion Loss		0.5		dB
Flatness		±0.15		dB
Isolation		20		dB
Return Loss		15		dB

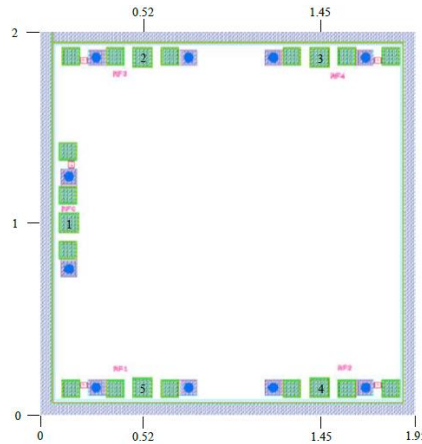
Insertion Loss



Isolation & Return Loss



Outline Drawing:
All Dimensions in mm



Pad Description

Pad	Function	Description
1	RFC	RF Common Port
2,3 4,5	RF3,RF4 RF2,RF1	RF Branch Port

Maximum Ratings:

1. Maximum input power: +31dBm
2. Operating temperature: -55°C to +85°C
3. Storage temperature: -65°C to +175°C