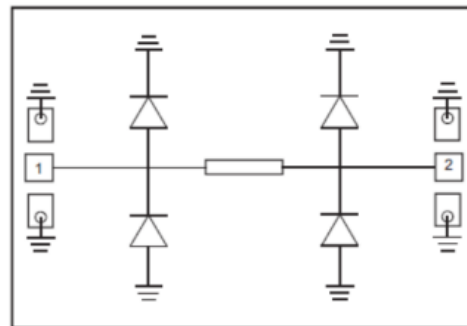


Features

- Frequency:DC-12GHz
- Insertion Loss: 0.2dB(typ.)
- Limit Power:17dBm
- Tolerance Power:39dBm(CW)
- Input/Output: 50Ω
- Die Size: 1.4x0.6x 0.1 mm

Typical Applications

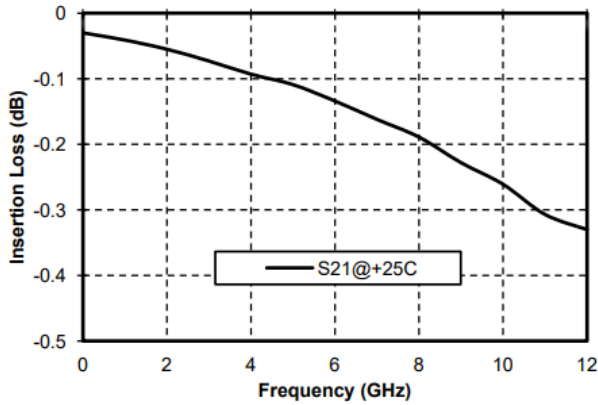
- Test Instrumentation
- Microwave Radio & VSAT
- Military & Space
- Telecom Infrastructure
- Fiber Optics

Functional Block Diagram

Electrical Specifications
TA = +25°C

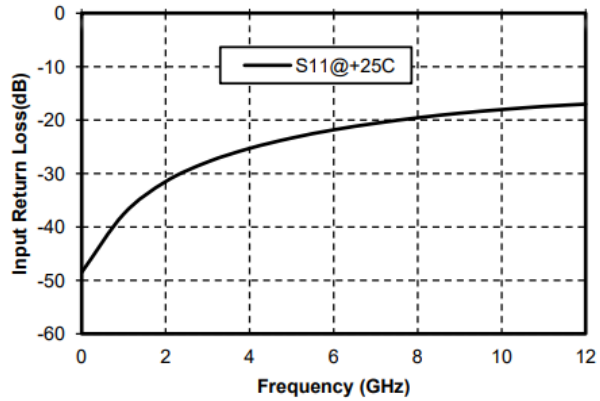
Parameters	Min.	Typ.	Max.	Units
Frequency	DC-12			GHz
Insertion Loss	-	0.2	0.3	dB
Input Return Loss	17	25	-	dB
Output Return Loss	17	25	-	dB
Limit Power	-	17	-	dBm
Tolerance Power		39		dBm



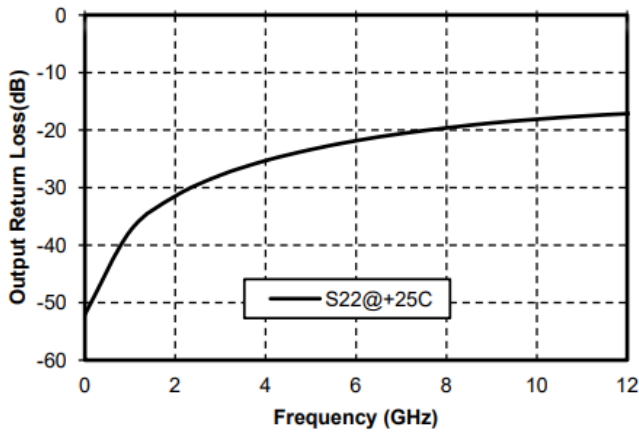
Insertion Loss Vs. Frequency



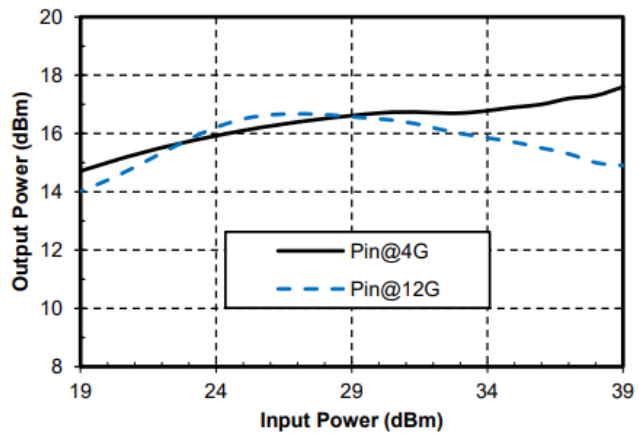
Input Return Loss Vs. Frequency



Output Return Loss Vs. Frequency



Limit Power @4G 12G





Outline Drawing:

All Dimensions in um, tolerance range $\pm 50\mu\text{m}$



Pad Description

PAD	Function	Description
1	RF COMM	RF signal input, external DC-blocking capacitor required.
2	RF OUTPUT	RF signal output, external DC-blocking capacitor required.
Die Bottom	GND	Die bottom must be connected to RF/DC ground.



Assembly Drawing



Notes:

1. Die thickness: 100um
2. Typical bond pad is 100*100 μm^2
3. Bond pad metalization: Gold
4. Backside metalization: Gold
5. Backside of the die (GND)
6. No connection required for unlabeled bond pads

Maximum Ratings:

1. RF input power: +39dBm
2. Storage temperature: -65°C to +150°C
3. Operating temperature: -55°C to 125°C