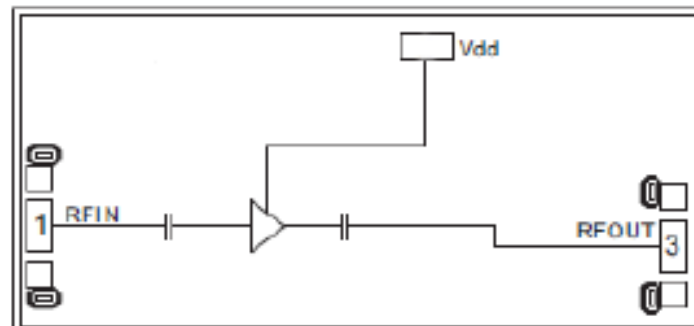


Features

- Frequency: 18-40GHz
- Small Signal Gain: 8dB (Positive slope)
- Noise Figure: 3.0dB typ./3.5dB max.
- P1dB: 5dBm
- Power Supply: +5V/25mA
- Input/Output: 50Ω
- Die Size: 1.6 x 1.6 x 0.09 mm

Typical Applications

- Test Instrumentation
- Microwave Radio & VSAT
- Military & Space
- Telecom Infrastructure
- Fiber Optics

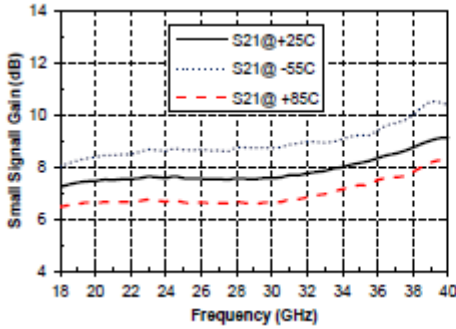
Functional Block Diagram

Electrical Specifications

TA = +25°C, Vd = +5V

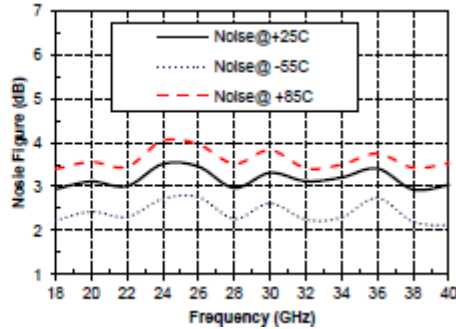
Parameters	Min.	Typ.	Max.	Units
Frequency	18-40			GHz
Small Signal Gain	7.5	8	9	dB
Gain Flatness		±0.75		dB
Noise Figure	-	3.0	3.5	dB
Output 1dB Compression (P1dB)	-	5	-	dBm
Input Return Loss	15	18	-	dB
Output Return Loss	20	30	-	dB
Static current		25		mA



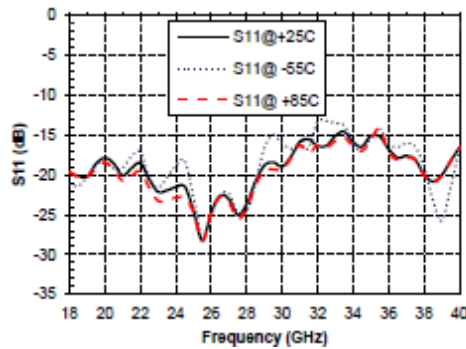
Gain vs. Frequency



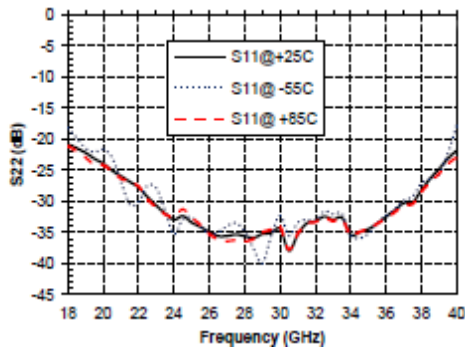
Noise Figure vs. Frequency



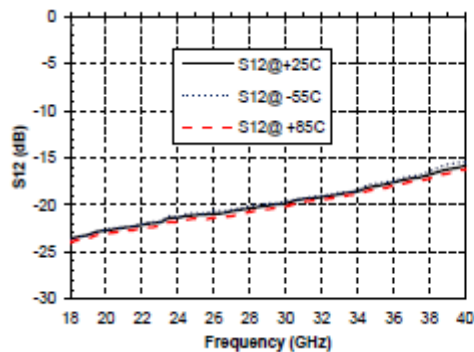
Input Return Loss vs. Frequency



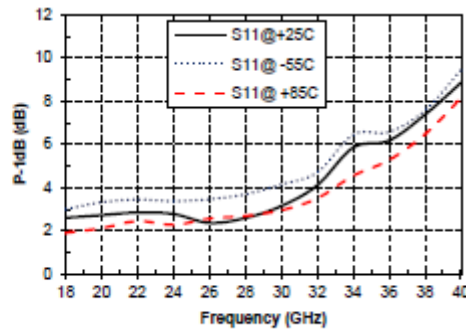
Output Return Loss vs. Frequency



Reverse Isolation vs. Frequency



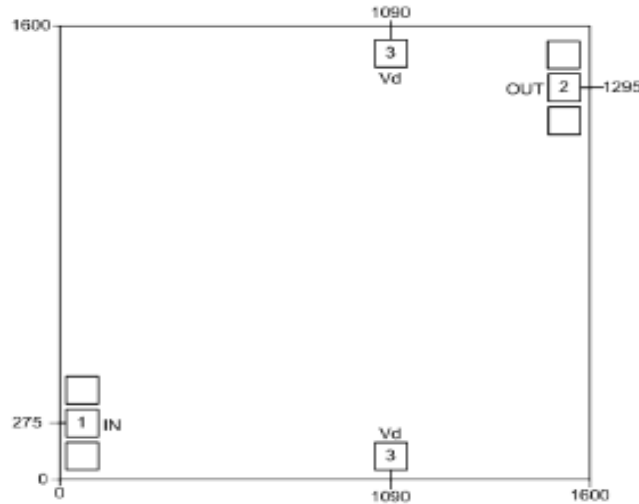
P1dB vs. Frequency





Outline Drawing:

All Dimensions in μm

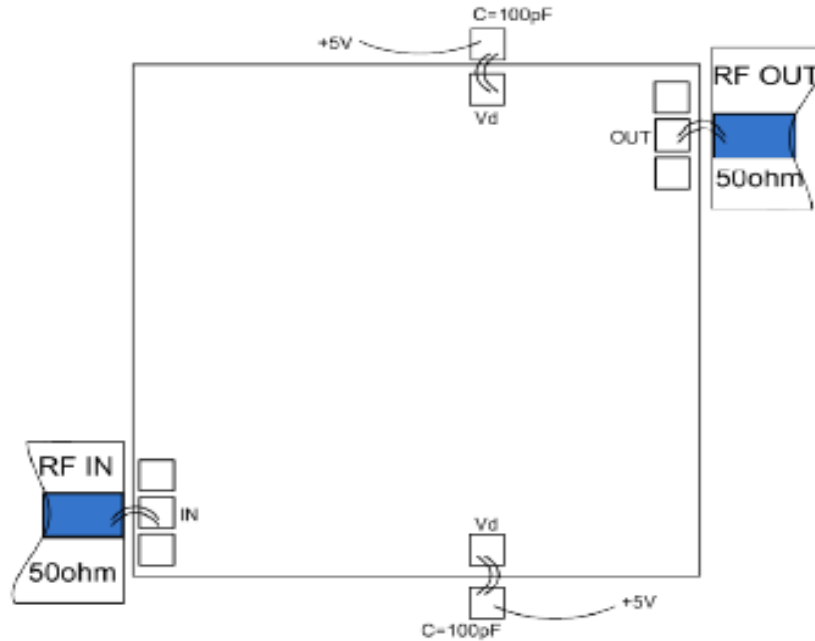


Pad Description

Pad	Function	Description	Equivalent Circuit
1	RF IN	RF signal input terminal, no blocking capacitor required.	
2	RF OUT	RF signal output terminal, no blocking capacitor required.	
3	VD	Amplifier drain bias; external 100pF bypass capacitor required; single-side power supply, and only Vd at one side required.	
Die bottom	GND	Die bottom must be connected to RF/DC ground.	



Assembly Drawing



Notes:

1. Die thickness: 100um
2. Typical bond pad is 100*100 μm^2
3. Bond pad metalization: Gold
4. Backside metalization: Gold
5. Backside of the die (GND)
6. No connection required for unlabeled bond pads

Maximum Ratings:

1. Maximum drain voltage: +7V
2. Maximum input power: +20dBm
3. Operating temperature: -55°C to +85°C
4. Storage temperature: -65°C to +150°C